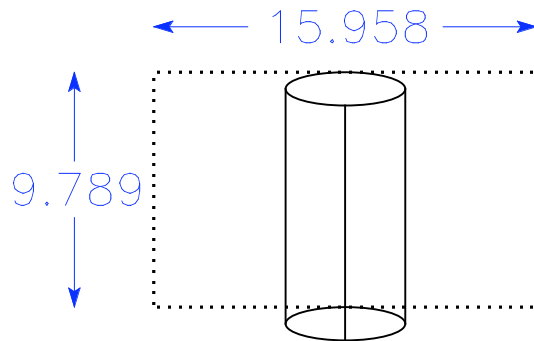


# GEK Swirl Burner v1.0

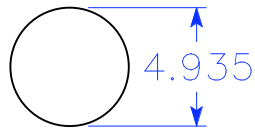
5" Dia Cylinder  
(with 3/8" overlap at joint)

*Bottom Plate is cut from 1/8" sheet steel.*

*Vessel tube is cut from 1/16" sheet steel.*



**Vessel Tube**



**Bottom Plate**

Before building, check for more recent versions at:  
[www.allpowerlabs.org/gasification/gek](http://www.allpowerlabs.org/gasification/gek)  
ALL Power Labs 1010 Murray Street Berkeley, CA 94710.  
8/08. jimmmason@whatiamupto.com