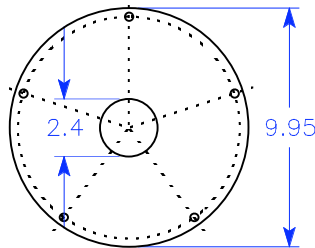


GEK Packed Bed Filter v1.0

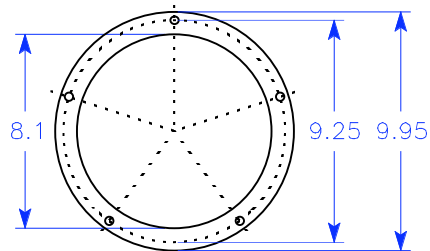
8" Dia on Center,
(with 3/8" sheet overlap at joint)

Flanges and Plates are cut from 1/8" sheet steel.

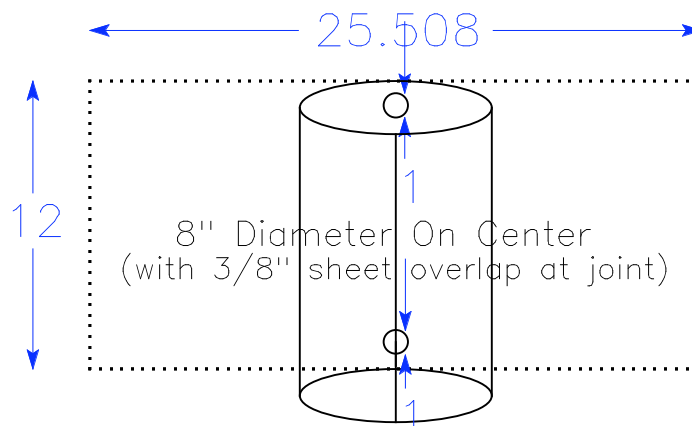
Vessel Tube is cut from 1/16" sheet steel.



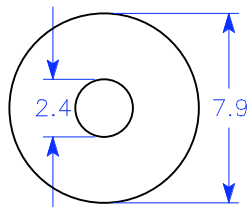
Top Plate
(not used when
blower is attached)



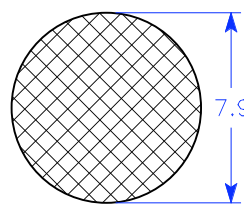
Top Flange



Vessel Tube



Bottom Plate



Filter grate x 2

Before building, check for more recent versions at:
www.allpowerlabs.org/gasification/gek
ALL Power Labs 1010 Murray Street Berkeley, CA 94710.
8/08. jimmmason@whatiamupto.com