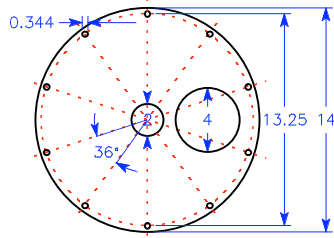
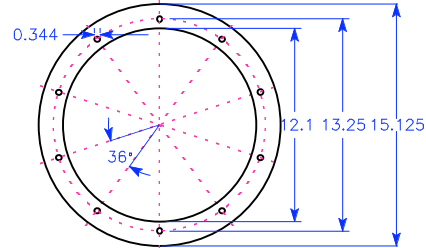


GEK Hopper v1.0

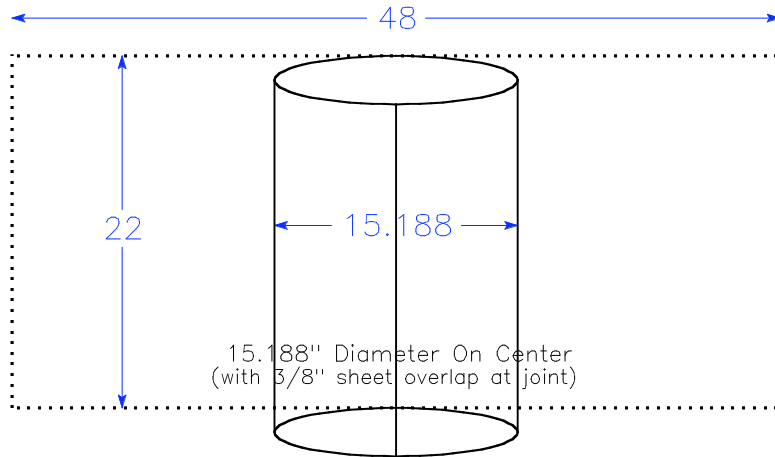
*Flanges and Top Plate are cut from 1/8" sheet steel.
Vessel Tubes are cut from 1/16" sheet steel.*



**Top Cover for
Reactor or Hopper**
(holes for fuel fill and
top down air config)



Top & Bottom Flange
(2 count)



Vessel Tube

Before building, check for more recent versions at: www.allpowerlabs.org/gasification/gek
ALL Power Labs 1010 Murray Street Berkeley, CA 94710. 8/08. jimmmason@whatiamupto.com