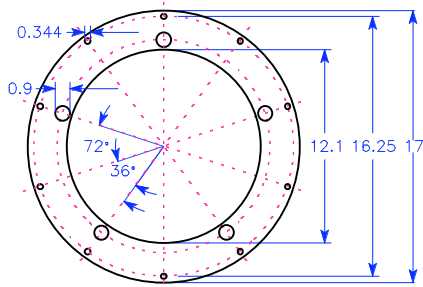
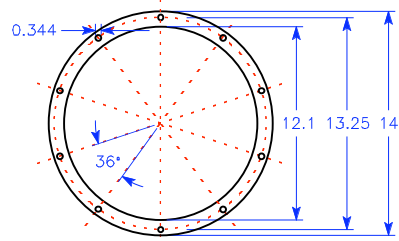


GEK Downdraft Reactor v1.0

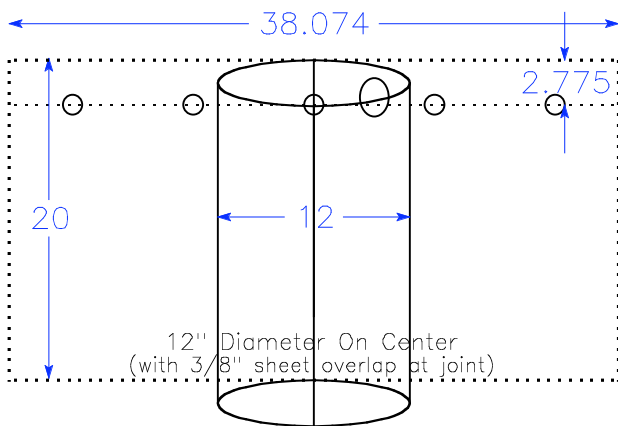
*Flanges and End Plates are cut from 1/8" sheet steel.
Vessel Tubes are cut from 1/16" sheet steel.*



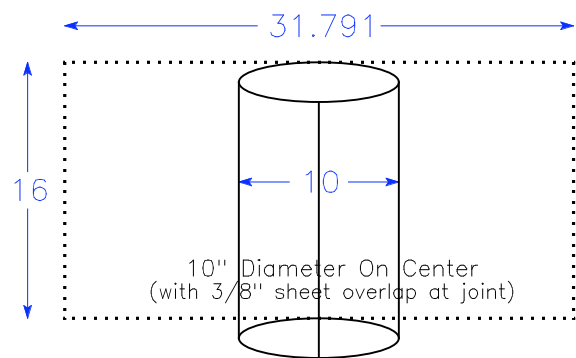
Perimeter Mounting Flange



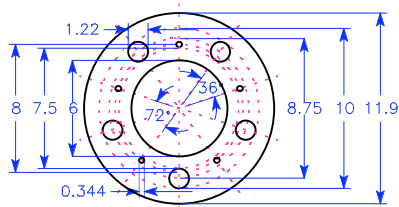
Top Rim Flange



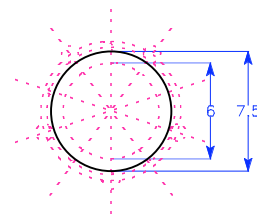
Downdraft Reactor Outside



Downdraft Reactor Inside/Insulation



Bottom End Plate



**Reduction Bell End Plate
(cut center to desired size)**